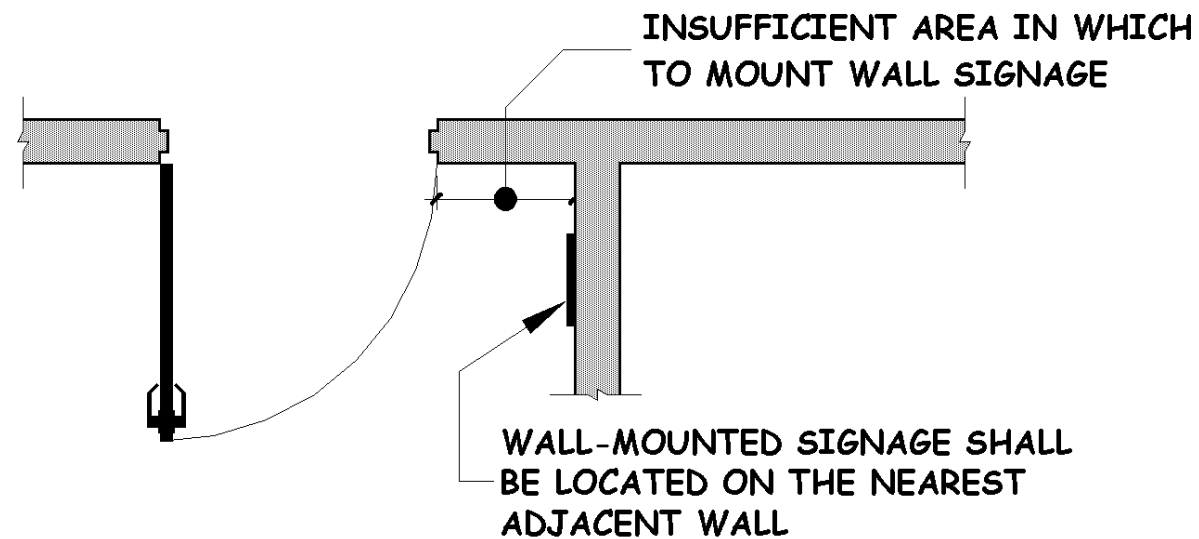


WALL-MOUNTED SIGNAGE SHALL BE LOCATED TO THE SIDE OF DOUBLE DOORS PREFERABLY ON THE RIGHT

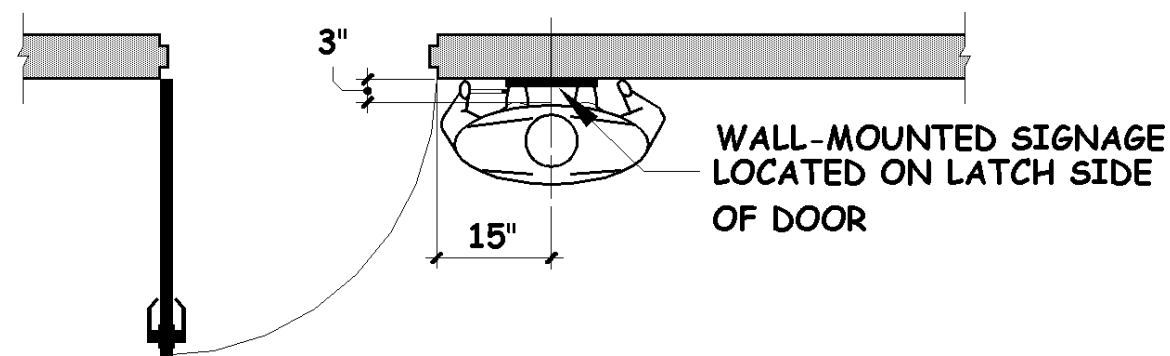
WALL SIGNAGE ADJACENT TO DOUBLE DOORS



INSUFFICIENT AREA IN WHICH TO MOUNT WALL SIGNAGE

WALL-MOUNTED SIGNAGE SHALL BE LOCATED ON THE NEAREST ADJACENT WALL

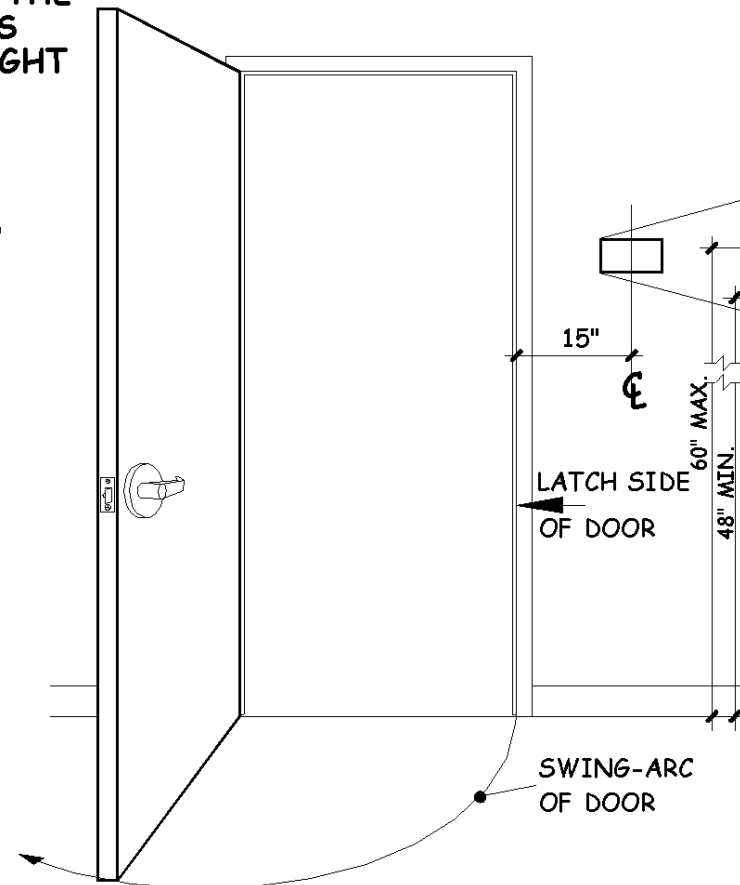
WALL SIGNAGE on ADJACENT WALL



WALL-MOUNTED SIGNAGE LOCATED ON LATCH SIDE OF DOOR

WALL SIGNAGE ADJACENT TO DOOR

ROOM IDENTIFICATION SIGNAGE



VERBAL DESCRIPTION

LETTERS AND NUMERALS SHALL BE RAISED 1/32", UPPER CASE SANS SERIF TYPE AND SHALL BE ACCOMPANIED WITH CONTRACTED GRADE 2 BRAILLE. RAISED CHARACTERS SHALL BE AT LEAST 5/8" HIGH BUT NO HIGHER THAN 2".

REFER TO 2010 CBC (AUGUST 1, 2012 SUPPLEMENT) SEC. 1117B.5 FOR ADDITION REQUIREMENTS REGARDING PROPORTIONS FOR VISUAL AND RAISED CHARACTERS.

CONTRACTED GRADE 2 BRAILLE

DOTS SHALL BE 1/10" ON CENTER IN EACH CELL THERE SHALL BE 2/10" SPACE BETWEEN CELLS, MEASURED FROM THE SECOND COLUMN OF DOTS IN THE FIRST CELL TO THE FIRST COLUMN OF DOTS IN THE SECOND CELL. DOTS SHALL BE RAISED A MINIMUM OF 1/40" ABOVE THE BACKGROUND. BRAILLE DOTS SHALL BE DOMED OR ROUNDED.

WALL-MOUNTED ACCESSIBILITY SIGNAGE

WALL-MOUNTED ACCESSIBILITY SIGNAGE SHALL CONSIST OF:

RAISED CHARACTERS IN ACCORDANCE WITH 2010 CBC SECTION 1117B.5.5.

CONTRACTED GRADE 2 BRAILLE IN ACCORDANCE WITH 2010 CBC SECTION 1117B.5.6.

WHERE PERMANENT IDENTIFICATION SIGNS ARE PROVIDED FOR ROOMS AND SPACES, SIGNS SHALL BE INSTALLED ON THE WALL ADJACENT TO THE LATCH SIDE OF THE DOOR.

SIGNS WITH RAISED CHARACTERS AND BRAILLE SHALL BE LOCATED 48-INCHES MINIMUM ABOVE THE FINISH FLOOR OR GROUND SURFACE, MEASURED FROM THE BASELINE OF THE LOWEST LINE OF BRAILLE AND 60-INCHES MAXIMUM, MEASURED ABOVE THE FINISH FLOOR OR GROUND SURFACE, MEASURED FROM THE HIGHEST LINE OF RAISED CHARACTERS.

WHERE THERE IS NO WALL SPACE ON THE LATCH SIDE, INCLUDING DOUBLE LEAF DOORS, SIGNS SHALL BE PLACED ON THE NEAREST ADJACENT WALL, PREFERABLY ON THE RIGHT.

MOUNTING LOCATION SHALL BE DETERMINED SO THAT A PERSON MAY APPROACH WITHIN 3" OF SIGNAGE WITHOUT ENCOUNTERING PROTRUDING OBJECTS OR STANDING WITHIN THE SWING OF A DOOR.

15", AS MEASURED BETWEEN THE LATCH-SIDE OF THE DOOR AND THE (VERTICAL) CENTERLINE OF THE SIGN, IS RECOMMENDED.

SCALE NONE

PGH 12 / 08
DRAWN DATE

REV.	DATE	APPR.
1	01-01-11	PGH
2	08-01-12	PGH
3		
4		
5		

ROOM SIGNAGE

RDA - 13.0

SHEET